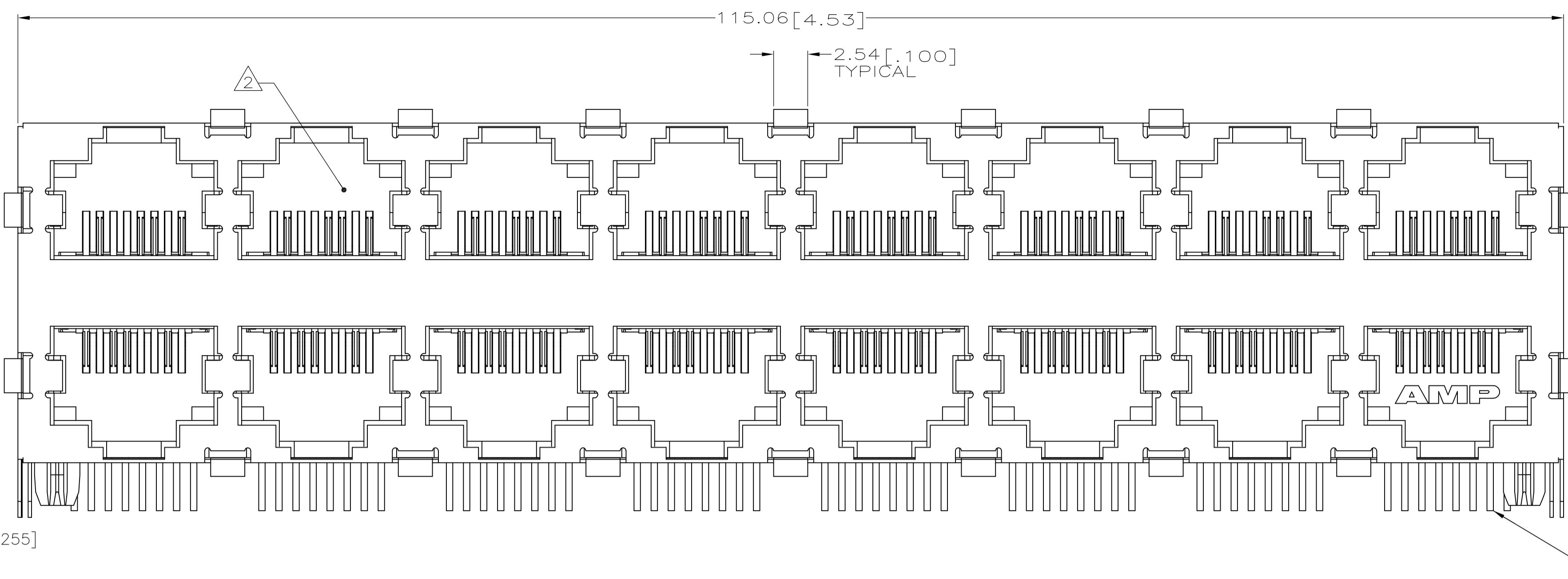
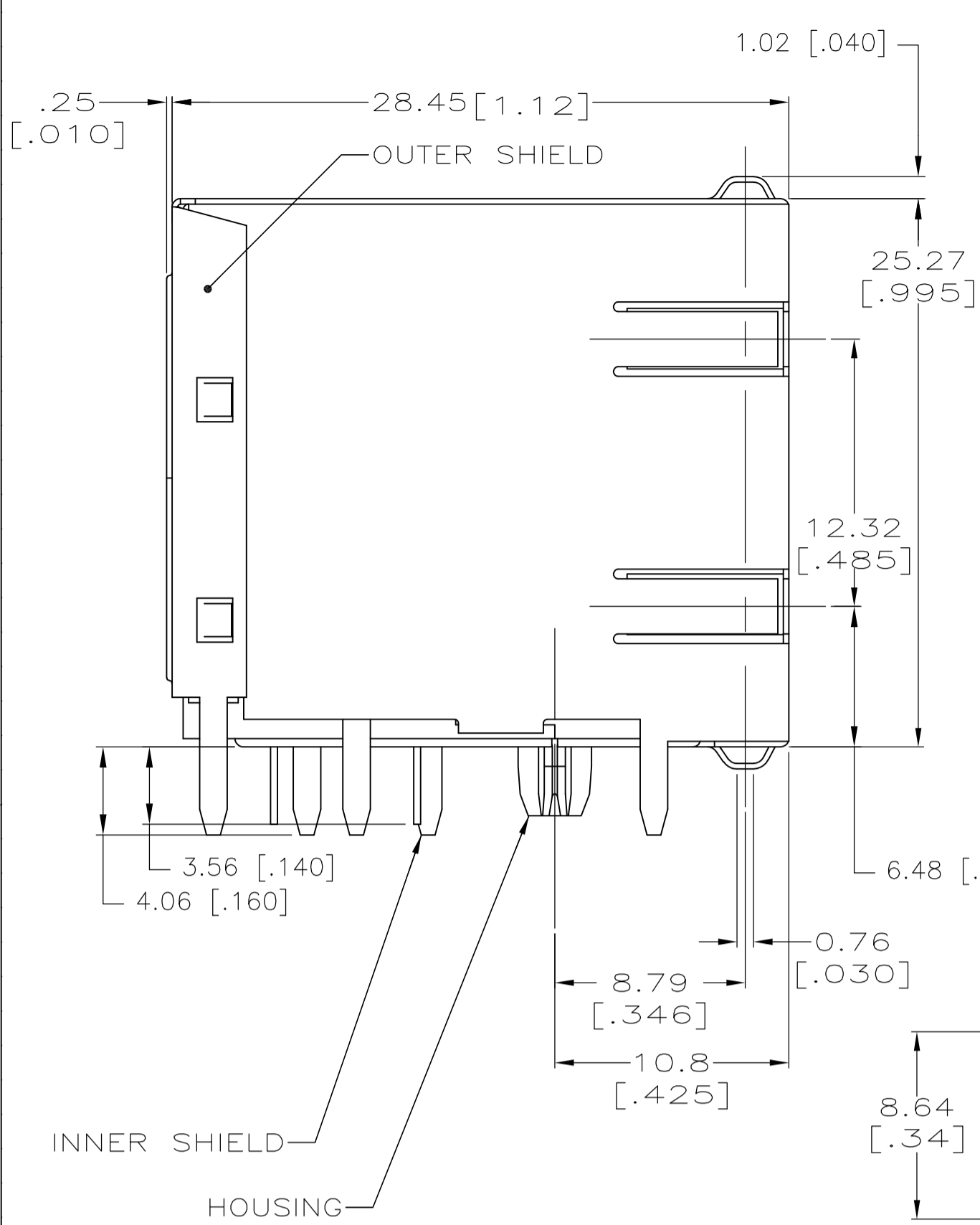
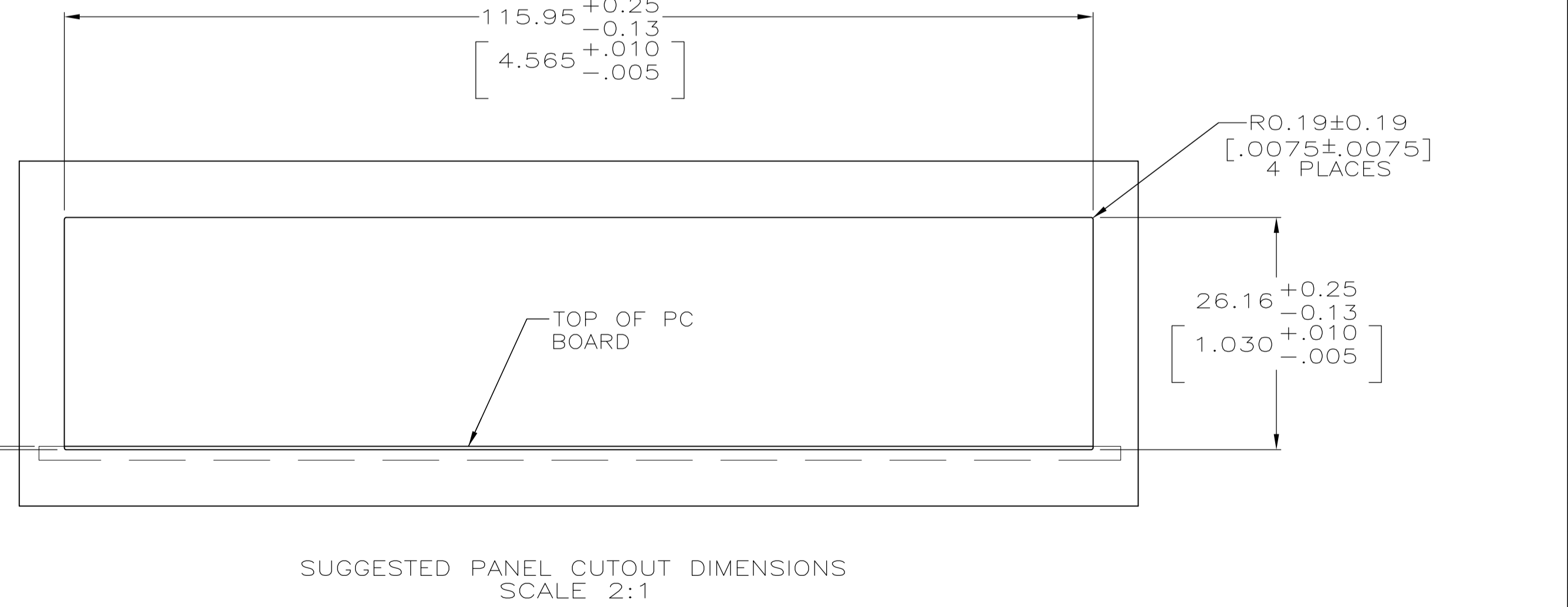
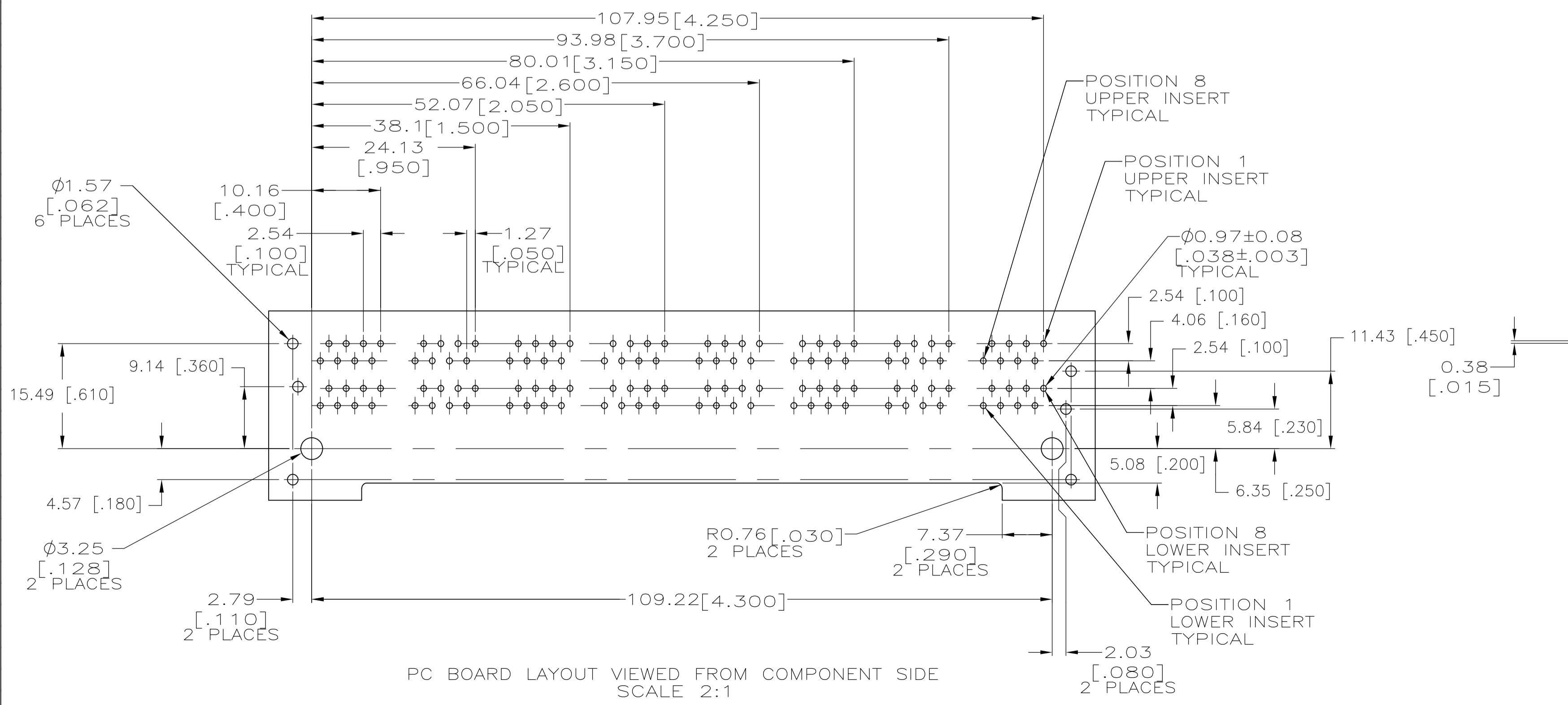
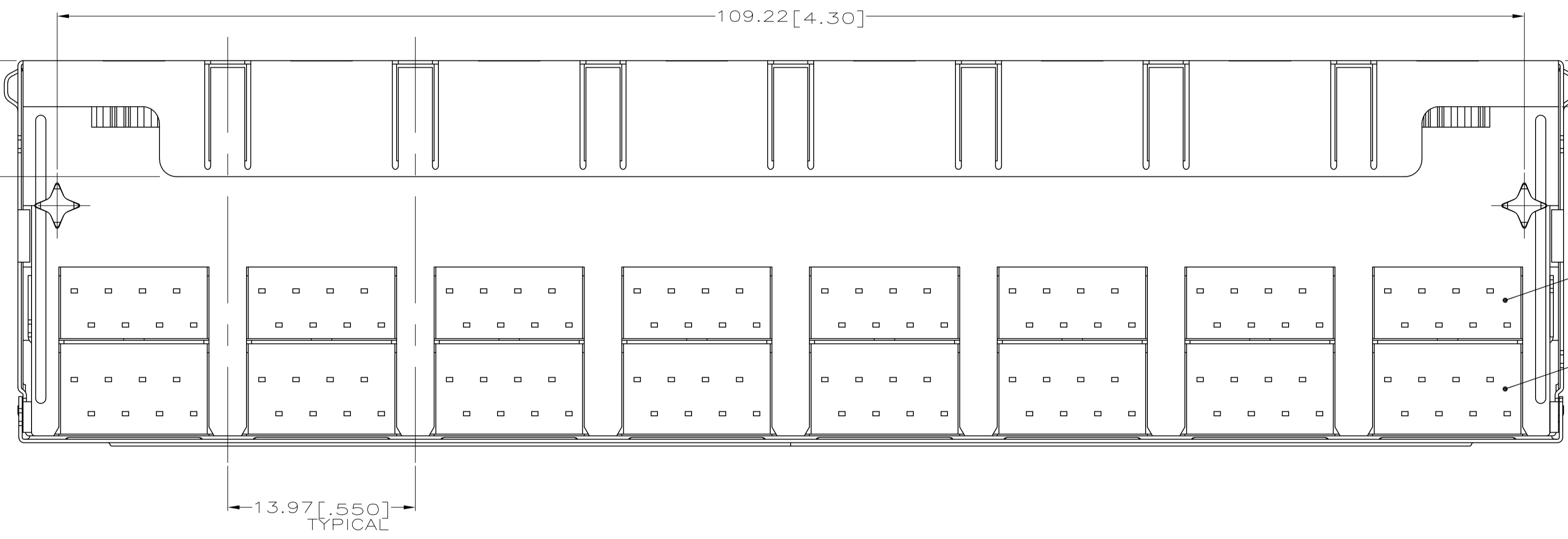
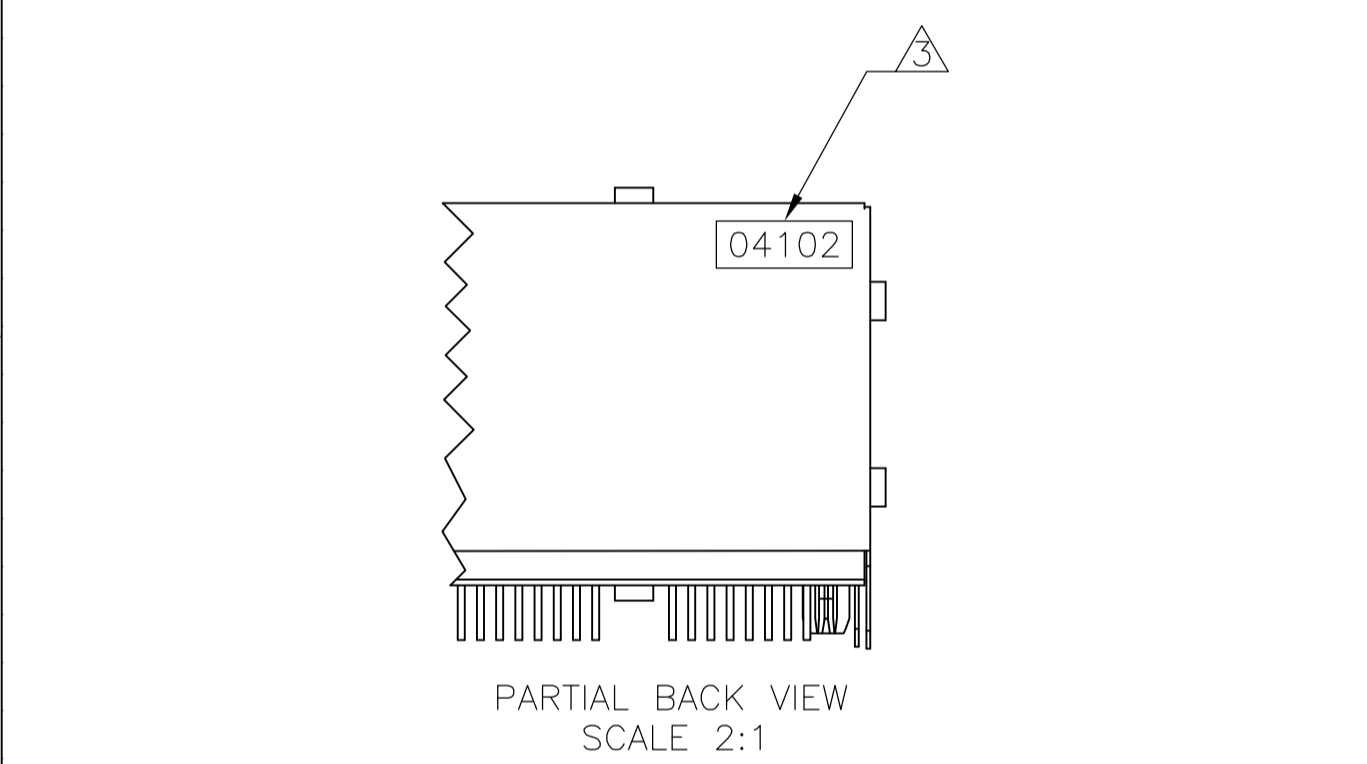


LOC		DIST		REVISIONS			
AA	22	F	LTR	DESCRIPTION	DATE	DWN	APVD
		B2		REVISED PER ECO-11-005033	31MAR11	RK	HMR



- MATERIAL:
HOUSING - PCT POLYESTER, BLACK, UL94V-0.
OVERMOLDED TERMINAL ARRAY - PBT, BROWN.
TERMINALS - 0.33 [.013] THICK PHOS BRONZE PLATED WITH 1.27um [.000050] MIN THICK HARD GOLD IN LOCALIZED AREA AND 3.81um [.000150] MIN THICK MATTE TIN IN SOLDER AREA OVER 1.27um [.000050] MIN THICK NICKEL UNDERPLATE.
SHIELDS - 0.25 [.010] THICK COPPER ALLOY PLATED WITH 1.27 um [.000050] MINIMUM NICKEL AND 2.03 um [.000080] MINIMUM HOT TIN DIP ON PCB GROUND TABS.
- △ JACK CAVITY CONFORMS TO FCC RULES AND REGULATIONS, PART 68 SUBPART F.
- △ DATE CODE LOCATED ON REAR OF PART APPROXIMATELY AS SHOWN:
FIRST 2 DIGITS ARE LAST 2 DIGITS OF YEAR,
SECOND 2 DIGITS ARE MANUFACTURING WORK WEEK,
LAST DIGIT IS DAY OF WEEK, WITH SUNDAY = 1.



5569264-1
PART NUMBER

THIS DRAWING IS A CONTROLLED DOCUMENT.		DIN T. SPRINKLE/L.A. MAYER 25MAY2005	STE TE Connectivity	
DIMENSIONS: mm [INCHES]		CHK J. WESTMAN 25MAY2005	NAME	
TOLERANCES UNLESS OTHERWISE SPECIFIED:		APVD S. FLICKINGER 25MAY2005	PRODUCT SPEC	
0. PLC ± -	1. PLC ± -	APPLICATION SPEC		
2. PLC ± 0.25[.01]	3. PLC ± 0.13[.005]	114-2048		
4. PLC ± -	ANGLES ± -	SIZE A1	CAGE CODE 00779	DRAWING NO. 5569264
MATERIAL SEE NOTE 1	FINISH SEE NOTE 1	WEIGHT -	RESTRICTED TO	
CUSTOMER DRAWING		SCALE 4:1	SHEET 1 of 1	REV B2